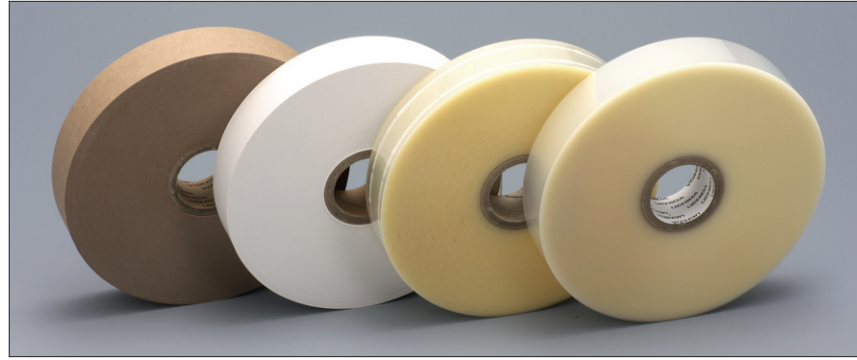


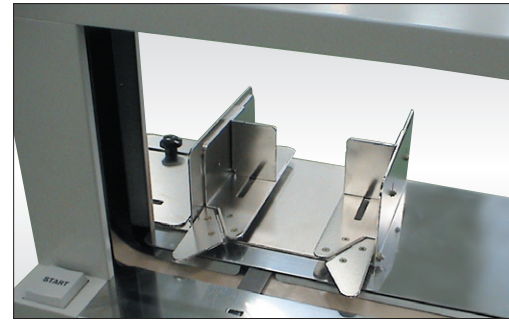
Optional accessories

Bundling Tapes



Kraft paper tape White paper tape Magic film tape Transparent film tape

Auxiliary guide for soft materials (For TAPIT-WII only)



Auxiliary guide to bundle soft materials such as envelope, letter papers and etc.

Auxiliary guide for small materials (For TAPIT-WII only)



Auxiliary guide to bundle tags, labels, small packages and etc. easily.

Foot switch



Examples of various bundling applications



Specifications

Model	TAPIT-WII	TAPIT-WII Stand	TAPIT-50W	TAPIT-50W Stand	TAPIT-WS
Bundling size	Maximum	400(W) x 200(H) mm (15.7"W x 7.9"H)			380(W) x 170(H) mm (15.0"W x 6.7"H)
	Minimum	30(W) x 10(H) mm (1.18"W x 0.39"H)			
Bundling speed	Up to 26 bundles / minute		Up to 24 bundles / minute		Up to 25 bundles / minute
Bundling tension	Variable Adjustment				
Tape width	30mm (1.18")		50mm (1.97")		20mm (0.79")
Tape Length	Kraft Tape (Brown)	190M (623ft)	800M (2,624ft)	190M (623ft)	800M (2,624ft)
	Kraft Tape (White)	190M (623ft)	800M (2,624ft)	190M (623ft)	190M (623ft)
	Film Tape	200M (656ft)	800M (2,624ft)	200M (656ft)	1,000M (3,280ft)
	Magic Tape	200M (656ft)	900M (2,952ft)	—	—
Power Source	110, 117 or 230VAC, 50 or 60Hz				
Power Consumption	200W	240W	200W	210W	200W
Net Weight	41 kgs (90 lbs)	75 kgs (165 lbs)	43 kgs (95 lbs)	81 kgs (179 lbs)	37 kgs (82 lbs)
Dimensions	560(W) x 300(D) x 490(H)mm (22.0"W x 11.8"D x 19.3"H)	560(W) x 436(D) x 1,075 to 1,165(H)mm (22.0"W x 17.2"D x 42.4 to 45.9"H)	560(W) x 330(D) x 490(H) mm (22.0"W x 13.0"D x 19.3"H)	560(W) x 436(D) x 1,075 to 1,165(H) mm (22.0"W x 17.2"D x 42.4 to 45.9"H)	520(W) x 300(D) x 452(H) mm (20.5"W x 11.9"D x 17.8"H)
Options	Foot Switch, Soft bundling guide, Small bundling guide			Foot Switch	

UCHIDA YOKO CO., LTD.

9-15, Shiomi 2-chome, Koto-ku, Tokyo, JAPAN
 TEL:81-3-5634-6350
 FAX:81-3-5634-6857
 URL:<http://www.uchida.co.jp/data2/overseas/>
 E-mail:overseas@uchida.co.jp

UCHIDA

UCHIDA Bundling Machine

TAPIT SERIES

AUTOMATIC BUNDLER

Uchida high-performance bundling machine TAPIT series are designed for

- Easy operation
- No ready time
- One single machine to be compatible for kraft, film or magic tape.

Thus, all models are covering a wide range of bundling applications in packing, printing, electronical semiconductor, food, pharmaceutical, posting and etc.



UCHIDA YOKO CO., LTD.

Common Features of Tapit series

1. The fastest bundler in this class

All models can produce 24 to 26 bundles a minute. Ensures high efficiency and productivity.

2. Both kraft and film tape can be used by one machine

Our unique features enable our single machine to use both kraft and film tapes.

3. No warm up time required

Bundling is ready to start immediately after turning on the power. It increases operation efficiency greatly.

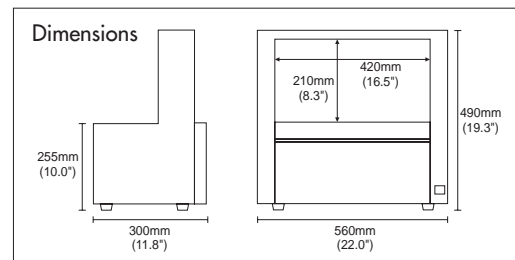
4. Stable tape delivery

The guide rail ensures making tape loop properly. It assures smooth & accurate bundling and improves productivity.

Bundlers for 30mm width tape

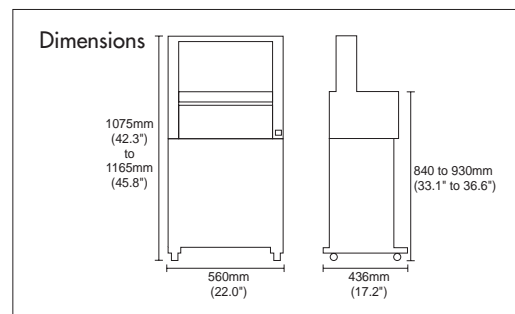
Model TAPIT-WII

- ◆ Desktop type for 30mm width tape
- ◆ Max bundling size – 400(W)×200(H)mm
- ◆ Compatible for both film and kraft tapes
- ◆ No ready time required



Model TAPIT-WII Stand

- ◆ Floor type for 30mm width tape
- ◆ Max bundling size – 400(W)×200(H)mm
- ◆ Compatible for both film and kraft tapes
- ◆ No ready time required
- ◆ Save the cost and time
Long reel of tape saves the running cost. Also, less frequency of the exchange of tape saves the set up time.
- ◆ Table height can be adjustable
Suitable height can be variably adjustable from 840mm to 930mm.



Bundlers with additional functions



TAPIT-WII, AU type
(with I/O interface)

TAPIT-WII with the function to control starting time of bundling in line with other machine.

1. Start bundling after receiving the signal from the connected machine.
2. It's possible to connect with the in-line system so that it can greatly increase the productivity.

* Note : I/O interface is subject to factory installation.



TAPIT-WII, SP type
(with a fixed position bundling function)

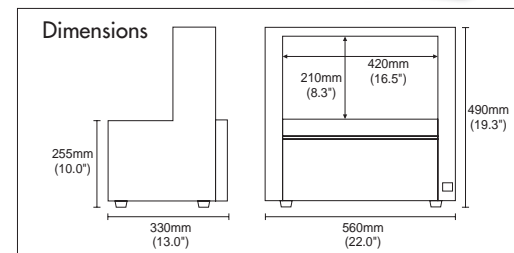
This machine adds the function of bundling while aligning the printed pattern on the tape to the same position every time.

1. A mark printed on the tape is detected by a sensor to allow the machine to bundle while aligning the printed pattern to the same position every time.
2. Two types of bundling tape are available ; one for paper tapes and the other for film tapes.

Bundlers for 50mm width tape

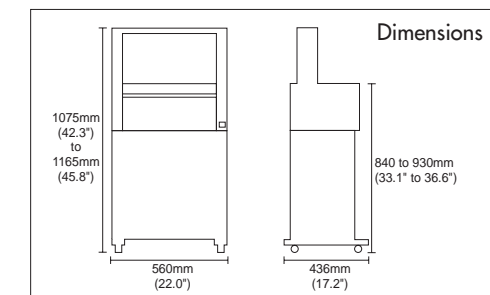
Model TAPIT-50W

- ◆ Desktop type for 50mm width tape
- ◆ Max bundling size - 400(W) x 200(H) mm
- ◆ Compatible for both film and kraft tapes
- ◆ No ready time required



Model TAPIT-50W Stand

- ◆ Floor type for 50mm width tape
- ◆ Max bundling size - 400(W) x 200(H) mm
- ◆ Compatible for both film and kraft tapes
- ◆ No ready time required
- ◆ Save the cost and time
Long reel of tape saves the running cost. Also, less frequency of the exchange of tape saves the set up time.
- ◆ Table height can be adjustable
Suitable height can be variably adjustable from 840mm to 930mm.



Easy adjustment of bundling tension

Bundling tension is variably adjustable from soft to strong, fitting to the nature of bundling material.

Bundler for 20mm width tape

Model TAPIT-WS

- ◆ Desktop type for 20mm width tape
- ◆ Max bundling size – 380(W) x 170(H)mm
- ◆ Compatible for both film and kraft tapes
- ◆ No ready time required

