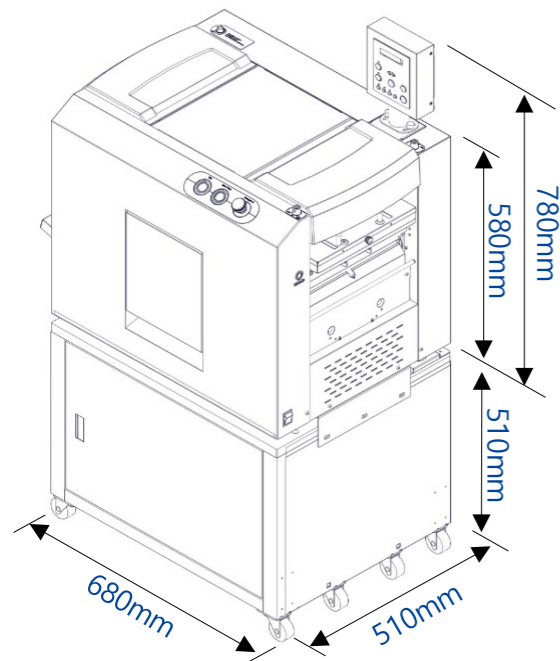


SPECIFICATIONS

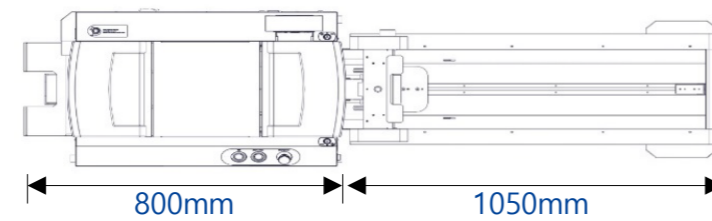
Speed	11-13-15-17K sheets/h
Infeed Tray	Max 1,500 sheets
Standard Form	A4, Letter, Legal
Paper Size	width: 130-257, length:210-357mm
Paper Weight	60~120gsm
Fold Type	Z, C, V & Double
Power	standby...7W, operation...320W
Net Weight	110kg
Gross Weight	135kg
Packing Dimension	940*660*800 mm
Other Features	Batch Counter
	Auto Reset
	Manual Feed
	Stacker Full Detect

Dimension

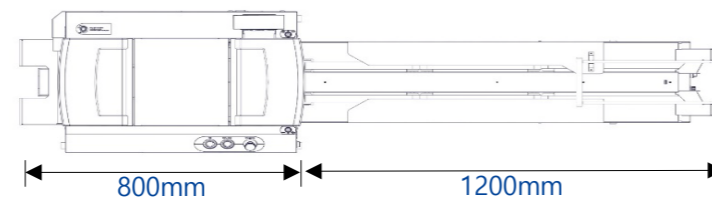


Floor Plan

with HCS



with LC50



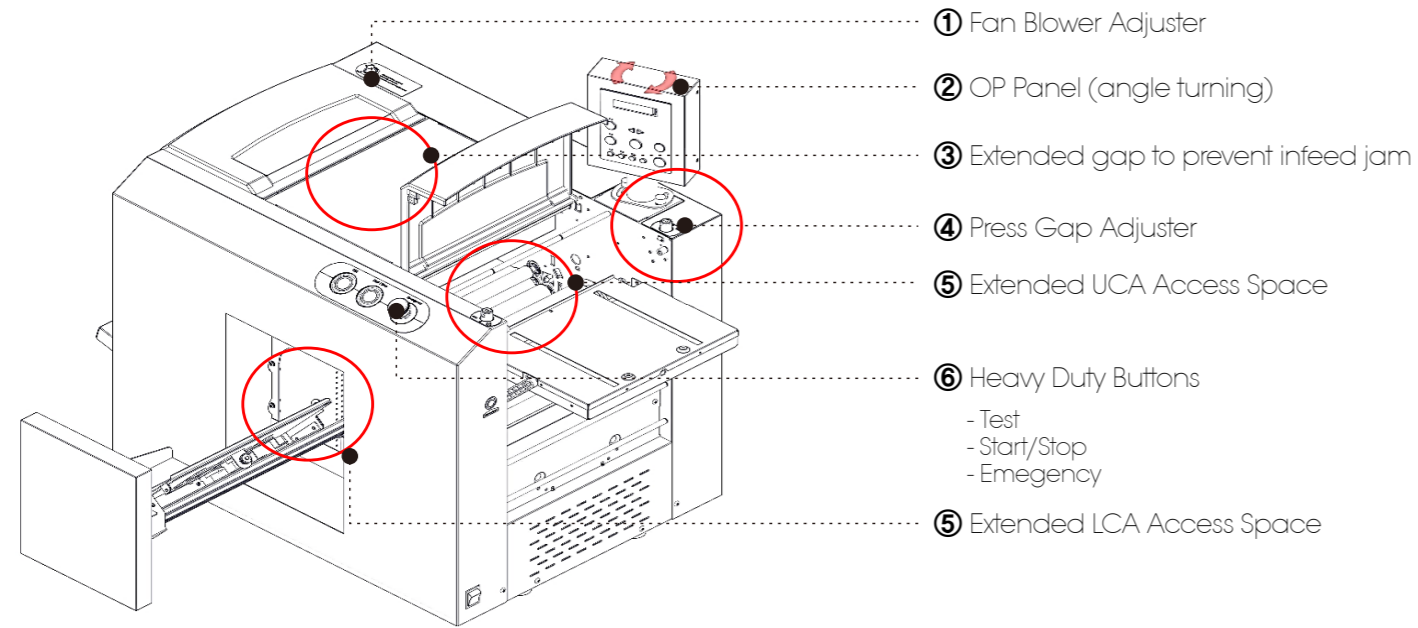
Heavy Duty Pressure Sealer (standalone/inline)

SecureFold 4170s



Heavy Duty Single Mailing Solution

Highly durable production single mailer with convenience in operation, maintenance and service. Ideal not only for seamless heavy operation at high speed but also for secure information handling by printer in-line.



Feature I High Speed

17,000

17,000sheets per hour

selectable operating speed of 11-13-15-17K
 high speed increases job efficiency and save cost

Feature II High Capacity

1,500

1,500sheets per load

easy-to-load auto lifting high capacity Infeed Tray
 holds up to 1,500sheets

Feature III Double Detect

100%

perfect double feed detection

infeed jam free by stopping machine before the
 double-fed forms get into fold rollers.....③

Feature IV Powerful Feeding

24h

Super FRR_Friction Reverse Roller

improved FRR is adequate for heavy duty job
 for continuous operation

Feature V Standalone/Inline

multi

Multimodal

increases convenience of operation to maximize its coverage of
 applications. In-line mode is mandatory for highly secure information
 handling job

Feature VI Easy Maintenance

easy

convenient for cleaning and jam removal

enough space for hand access to rollers and
 other parts inside through LCA/UCA door.....⑤

Feature VII Flexible Gap

gap

Gap Adjuster outside

easy adjustment of the press roller gap by operator for different thickness
 of media④

Feature VIII Professional Operations

pro

Frequently Used Buttons are on top front

strong enough for easy and repeat use.....⑥

Start & Stop remote controller

increases convenience of operation to maximize its coverage of
 applications. In-line mode is mandatory for highly secure information
 handling job

Stacker Options



HCS

_High Capacity Stacker
 _stacking up straight to save space
 _up to 2000 mails



LC50

_Long Conveyor
 _stacking intelligent to increase efficiency
 _up to 1500 mails